

## Quick and Easy Outhouse Plans

Free plans to help you build your own Outhouse!

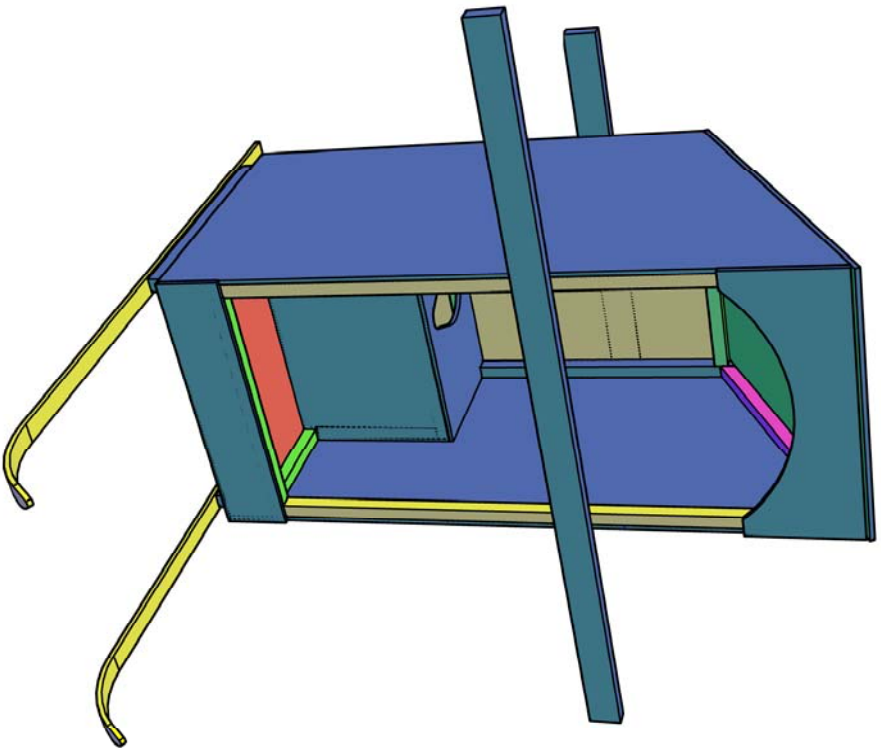
Kits available for \$200. Kit includes everything except skis. All the pieces are cut and ready for you to assemble.

Completed Outhouse available for \$250. Delivered to the Anchorage Bowl area only. No skis included.



This is a FUNdraising event to help send UAA Students to areas in the United States that have been devastated by hurricanes, tornados, or floods. Every year we send a group down to assist Habitat for Humanity in building affordable housing for people displaced by natural disasters. We are the AE club @ UAA. Our website is: [AEclubUAA.com](http://AEclubUAA.com) Facebook: [AEclubatUAA](https://www.facebook.com/AEclubatUAA). Contact person: Bob Maxwell 786-4914.





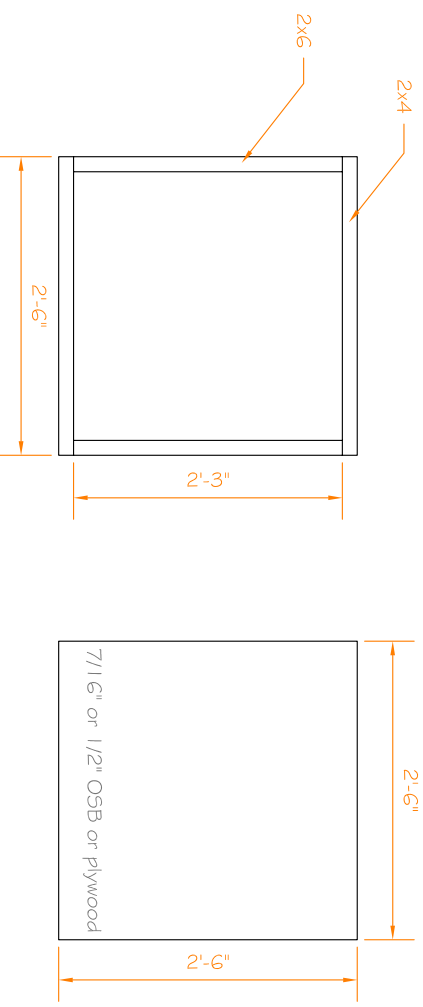
# Materials

- 1 pair cross country skis
- 3 sheets 4'x8' - 1/2" plywood or OSB
- 1 - 8' - 2x6
- 3 - 8' - 2x4
- 8 - 8' - 2x2
- 1 # - 3" screws to assemble frame & platform
- 2 # - 1 1/4" screws to attach skin
- Toilet paper holder
- Toilet paper
- Reading material

## Notes:

This outhouse meets all requirements for the Traditional Class  
 Push bars are 7' and 55"  
 Decorate to taste (PG rating)

Skis mount to 2x6s



Platform

# The Frame

2x2 lumber

A = 7 @ 27"

B = 2 @ 66" longest point - 30° cut

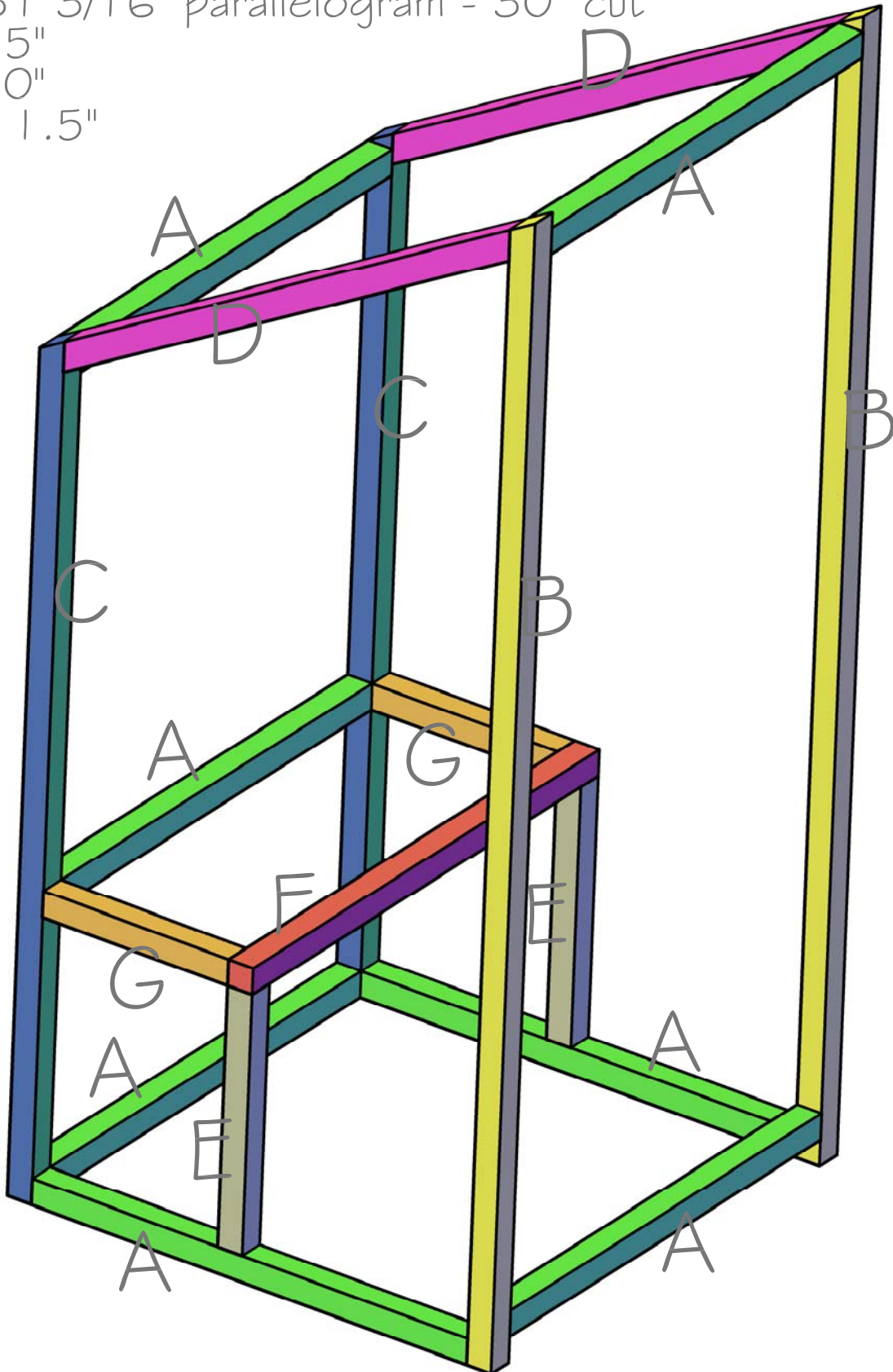
C = 2 @ 49.5" longest point - 30° cut

D = 2 @ 31 3/16" parallelogram - 30° cut

E = 2 @ 15"

F = 1 @ 30"

G = 2 @ 11.5"



# The Skin

3 sheets of 4' x 8' - 1/2" plywood or OSB

