

UAA



Fur Rondy Outhouse Race Champions 2007

The "Unknowns", a group of volunteers from the crowd, push an unlimited class outhouse to victory!



2007 Fur Rondy Outhouse Race pictures

Welcome to the Outhouse Race at the Fur Rondy.

This is a fundraising event to assist the Architecture and Engineering (A/E) Club at the University of Alaska Anchorage in traveling to devastated areas with **Habitat for Humanity** to build homes.

Days before Katrina destroyed the gulf region it passed over the southern tip of Florida. We will be traveling to that area May 5-19, 2008.

If you would like to help this team get to the places that need us the most by assisting with fundraisers or donating please email us with the good news! All donations are tax deductible.



AET Club in Charleston, South Carolina working with Sea Island Habitat for Humanity – Summer 2005



Email: aetclubak@gmail.com

website: aetclub.com



The Outhouse Race 2008 Fur Rendezvous

Welcome to **The Outhouse Race!** Three divisions – Unlimited, Traditional, and High School. Trophies for 1st through 3rd in each division. Cash Prizes for 1st place in each division. “The Outhouse Race” T shirts will be for sale at the race. Additional trophies for; the best engineered, best design, most colorful, and Peoples Choice.

This is a wonderful opportunity to use your creative side to develop an outhouse theme. Spend a little time on the internet for ideas.

All outhouses may be built of any material that produces a structurally sound building on skis. Any outhouse deemed unsound or unsafe, by the race committee, will not be allowed to race. Safety is paramount.

The race course will be a two lane course with 2 teams racing each other down and back around a pylon. The starting line is also the finish line.

Sign up and challenge other people to the race. There is a limit to the number of teams in each division.

Why: 1. To have fun in February.

2. To raise money to help send a group of UAA students to hurricane stricken areas within the United States. Working with Habitat for Humanity we will travel and spend 2 weeks helping with the rebuilding efforts wherever they need us.

Who: The Architecture and Engineering Club at the University of Alaska Anchorage. Contact person: R. Maxwell 786-4914 afrdm1@uaa.alaska.edu

Where: On 4th Avenue between D & C streets.

When: Saturday, February 23rd after the dog races.

Friday, 2/15/06 - 6pm - Mandatory meeting @ University Center UAA

Saturday, 2/23/08 – 2pm all outhouses must be in place for time trials.

2:15pm start of outhouse parade – one lap around the track

2:15-2:45 judging of outhouses

2:45 start of racing

How: Teams will compete within their division*. Trophies for 1st-3rd place in each division. Cash prizes for 1st place.

Teams will race each other in a time trial race. Once all outhouses have recorded a time they will be seeded in a double elimination tournament. Winners keep racing until beaten or crowned champion. All teams will race at least three times, once in the time trail and twice in the tourney. A red lantern trophy will be awarded to the slowest time in the time trials.

*unless there are less than 12 teams in each division.

Fine Print: Everyone must sign liability waivers. All liability waivers will have a copy of a photo ID of that person. Waivers will be passed out at the mandatory meeting Friday night.

They will be collected on race day. No waivers no race.

Classifications:

Unlimited – 5 person teams – the outhouse is limited in size to 8’ wide including push bars, 12’ long, and 8’ in height. No minimum width, height, or length. The outhouse must carry 1 helmeted person sitting on a toilet seat. One roll of toilet paper is required. The

outhouse may have up to two persons pulling with a maximum 20' rope. Push bars must be permanently mounted to the outhouse. The outhouse must ride on snow boards, down hill skis, or cross country skis.

Traditional – 5 person teams – The outhouse must be built with a minimum 30" x 30" base, have 3 walls, a door is not required but if you have one it must be locked in the open position during all races, and must have a roof. The outhouse may have up to two persons pulling with a maximum 20' rope. Minimum height is 6' from the ground to peak of roof. Maximum width 7' including push bars. Max height 8' from ground to highest point. Max Length 6'. Push bars must be permanently mounted to the outhouse. The outhouse must have one helmeted rider sitting on a toilet seat with reading material and a roll of toilet paper. The rider may not assist in the movement of the outhouse. The outhouse must ride on cross country skis.

High School - Same rules as Traditional except – Up to 10 person teams and must have a parent of one of the team members as team representative, this person must be at the races until the team is eliminated or crowned Fur Rondy Champions. All members of the High School teams must wear helmets (Bike, Motorcycle, Hockey, or Football). The outhouse must have the name of your High School on it readable from 20'.



2006 winners UAA



Trophies

**“The Outhouse Race”
2008 Fur Rendezvous**

Registration Form

Registration deadline: February 15th, 6pm

This is a **FUN**draising event to send UAA students to the lower 48 to help Habitat for Humanity with the rebuilding efforts.

Contact Person: R Maxwell 786-4914 afrdm1@uaa.alaska.edu

When: February 23rd, 2pm

Where: on 4th Ave between D & C streets

Organization

Team Name (PG rating)

Contact Person

Second contact person with phone #

Mailing Address

City

State

Zip

Phone # daytime

evening

email address (required)

Division (circle one) with the registration fee:

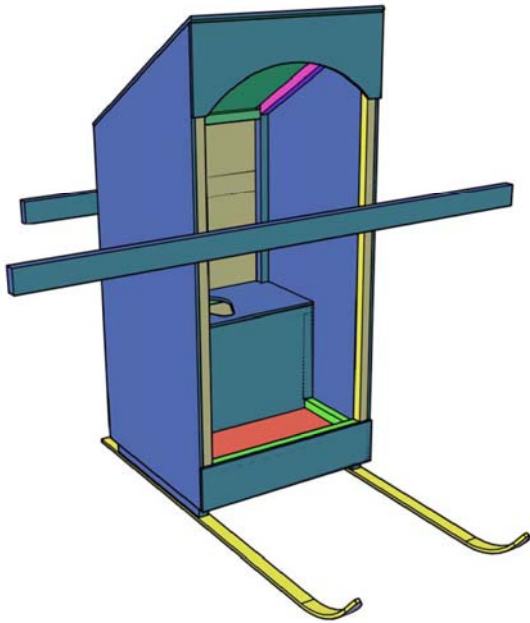
Unlimited - \$50

Traditional - \$50

High School - \$50

Team Members:

Mail this form with payment (check or money order) to A/E Club @ UAA 3211 Providence Dr. suite 130 UC Anchorage, Alaska 99508. You will be contacted by email when we receive your registration. Registration deadline: see above



Quick and Easy Outhouse Plans

Free plans to help you build your own Outhouse!

Kits available for \$200. Kit includes everything except skis. All the pieces are cut and ready for you to assemble.

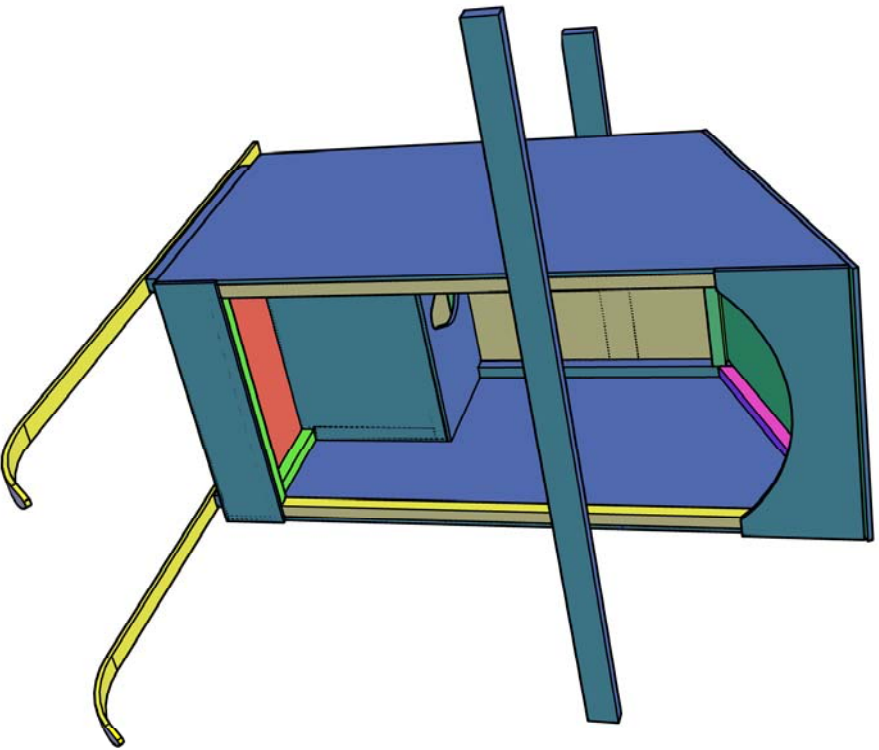
Completed Outhouse available for \$250. Delivered to the Anchorage Bowl area only. No skis included.



This is a FUNdraising event to help send UAA Students to areas in the United States that have been devastated by hurricanes, tornados, or floods. Every year we send a group down to assist Habitat for Humanity in building affordable housing for people displaced by natural disasters. We are the A/E club @ UAA. Our website is: AEclubUAA.com
Contact person: R Maxwell 786-4914.



University of Alaska Anchorage
The A/E club assisting Habitat for Humanity
Port Sulfur, Louisiana - May 2007



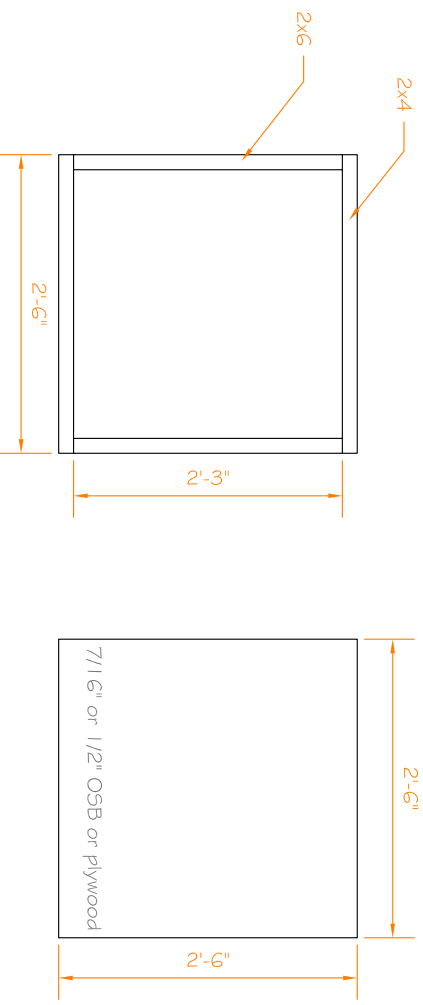
Materials

- 1 pair cross country skis
- 3 sheets 4'x8' - 1/2" plywood or OSB
- 1 - 8' - 2x6
- 3 - 8' - 2x4
- 8 - 8' - 2x2
- 1 # - 3" screws to assemble frame & platform
- 2 # - 1 1/4" screws to attach skin
- Toilet paper holder
- Toilet paper
- Reading material

Notes:

This outhouse meets all requirements for the Traditional Class
 Push bars are 7' and 55"
 Decorate to taste (PG rating)

Skis mount to 2x6s



Platform

The Frame

2x2 lumber

A = 7 @ 27"

B = 2 @ 66" longest point - 30° cut

C = 2 @ 49.5" longest point - 30° cut

D = 2 @ 31 3/16" parallelogram - 30° cut

E = 2 @ 15"

F = 1 @ 30"

G = 2 @ 11.5"

