

Quick and Easy Outhouse Plans

Free plans to help you build your own Outhouse!

Kits available for \$200. Kit includes everything except wheels and axles. All the pieces are cut and ready for you to assemble.

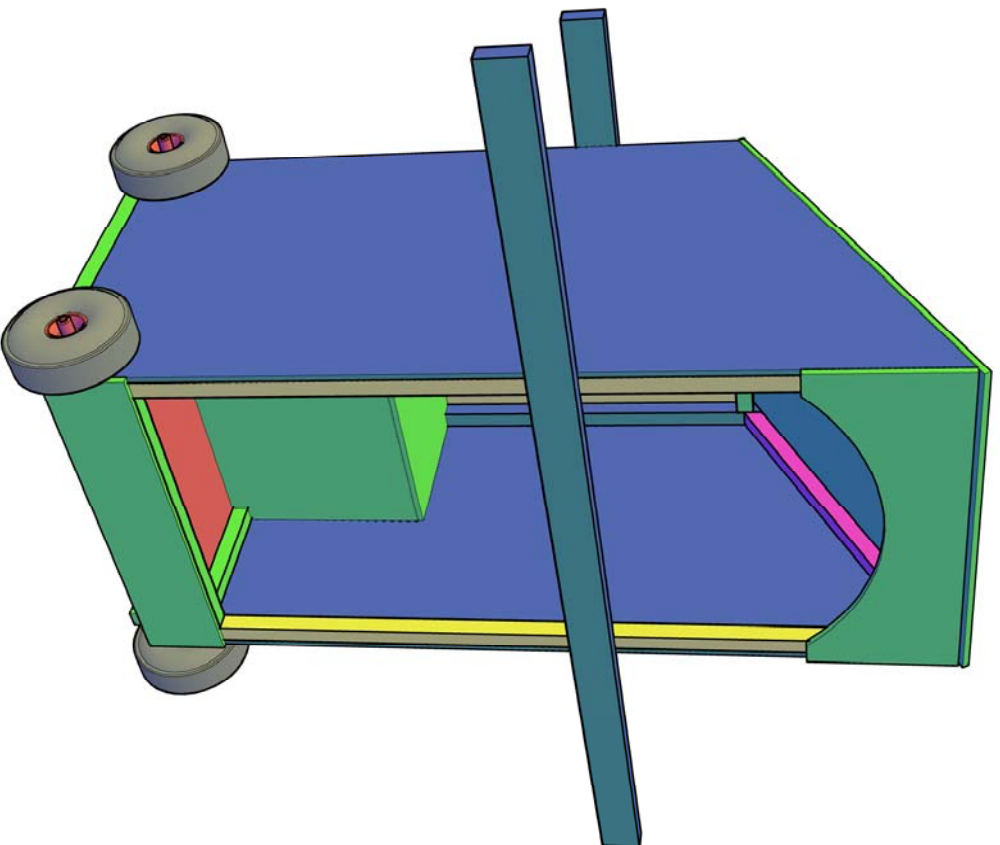
Completed Outhouse available for \$250. Delivered to the Anchorage Bowl or Eagle River areas only. No wheels or axles included.



This is a FUNdraising event to help send UAA Students to areas in the United States that have been devastated by hurricanes, tornados, or floods. Every year we send a group down to assist Habitat for Humanity in building affordable housing for people displaced by natural disasters. We are the A/E club @ UAA. Our website is: AEclubUAA.com
Contact person: R Maxwell 786-4914.



University of Alaska Anchorage
The A/E club assisting Habitat for Humanity
Port Sulfur, Louisiana - May 2007

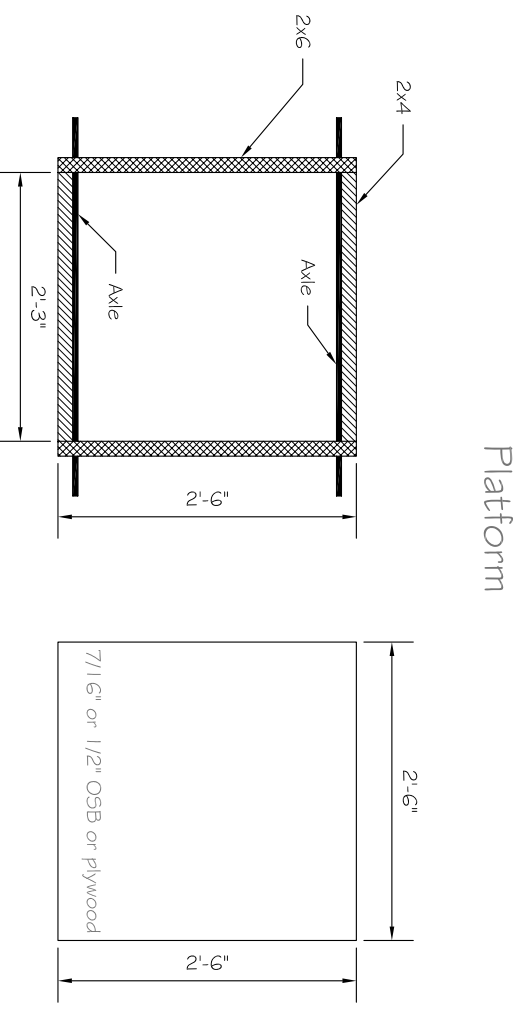


Materials

- 4 - tires and 2 axles
- 3 sheets 4'x8' - 1/2" plywood or OSB
- 1 - 8' - 2x6
- 3 - 8' - 2x4
- 8 - 8' - 2x2
- 1 # - 3" screws to assemble frame & platform
- 1 # - 1 1/4" screws to attach skin
- Toilet paper holder
- Toilet paper
- Reading material

Notes:

This outhouse meets all requirements for the Traditional Class
 Push bars are 7' and 55"
 Decorate to taste (PG rating)



Mount axles to 2x4s and drill holes through 2x6s.
 For Fur Rondy Outhouse Races remove tires and axles and add cross country skis.

The Frame

2x2 lumber

A = 7 @ 27"

B = 2 @ 66" longest point - 30° cut

C = 2 @ 49.5" longest point - 30° cut

D = 2 @ 31 3/16" parallelogram - 30° cut

E = 2 @ 15"

F = 1 @ 30"

G = 2 @ 11.5"

