

## 2009 Bear Paw Festival Outhouse Race Rules

2 classes – Traditional and Youth

**Traditional Class** - 5 person teams – Primary building material will be wood. The outhouse must be built with a minimum 30” x 30” base, have 3 walls, a door is not required but if you have one it must be locked in the open position during all races, and must have a roof. The outhouse may have up to two persons pulling with a maximum 20’ rope. Minimum height is 6’ from the ground to peak of roof. Maximum width 7’ including push bars. Max height 8’ from ground to highest point. Max Length 8’ including push bars. Push bars must be permanently mounted to the outhouse. The outhouse must have one helmeted rider sitting on a toilet seat with reading material and a roll of toilet paper. The rider may not assist in the movement or steering of the outhouse. The pushers suggested wear is; knee pads, elbow pads, helmet, and gloves. The maximum tire size is 24”. Tire setup can be either axle mounted non-steerable tires or Casters. No bike frames or bike parts or combination of tire setups allowed. All ages may participate in this class; parents must sign liability waivers for anyone under 18.

**Youth Class** - Same rules as Traditional except – Up to 10 person teams and must have a parent of one of the team members as team representative, this person must be at the races until the event is over. All members of the Youth teams must wear helmets (Bike, Motorcycle, Hockey, or Football), knee pads, elbow pads and gloves. **Ages 10 to 18.** Parents must sign liability waivers for anyone under 18.

Push / pull power only.

Race will be up and down a marked course in lanes.

Division races in a double elimination style tournament.

Limit of 8 teams in each division.

Top finishers in each division will race for the Grand Championship.

Trophies for; 1-3 in each division, 1<sup>st</sup> place for Grand Champion, Best Theme, People’s Choice, and Red Lantern.

**Mandatory meeting** (1 person from each team) Wednesday July 8<sup>th</sup> 6pm at the UAA in the University Center Mall room 123.

The University Center is located at the corner of Old Seward Hwy and 36<sup>th</sup>. UAA occupies the south end of the mall. Park in the south parking lot and enter through the main entrance, go left at the main hallway and room 123 will be down the second hallway on your right. If you have trouble finding the place call me on my cell at 748-2551.

**“The Outhouse Race”  
2009 Bear Paw Festival**

Registration Form

Registration deadline: July 8<sup>th</sup> 6pm

This is a **FUN**draising event to send UAA students to the lower 48 to help Habitat for Humanity with their building efforts.

Contact Person: R Maxwell 786-4914 [afrdm1@uaa.alaska.edu](mailto:afrdm1@uaa.alaska.edu)

When: July 11, 2009 – Races start at 3:00pm – Plan on being there at 2:30

Where: on Business Boulevard in front of the Mat Valley Credit Union

---

Organization

---

Team Name (PG rating)

---

Contact Person

---

Second contact person with phone #

---

Mailing Address

---

City

---

State

---

Zip

---

Phone # daytime

---

evening

---

email address (required)

Division (circle one) with the registration fee:

**Traditional - \$50**

**Youth - \$50**

Team Members: Traditional - 7 maximum, Youth - 10 maximum

---

---

---

---

---

---

---

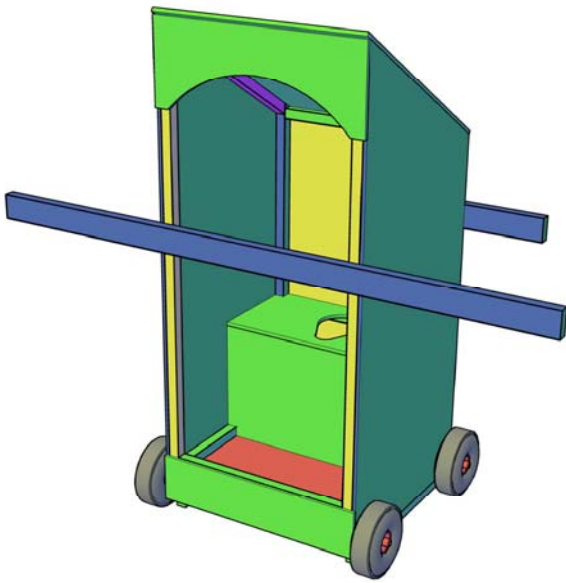
---

Mail this form with payment (check or money order) to Bob Maxwell 3211 Providence Dr. suite 110 ULB Anchorage, Alaska 99508. You will be contacted by email when we receive your registration. Make check out to UAA. Registration deadline: July 8<sup>th</sup> 6pm.



Bear Paw Festival 2008





## Quick and Easy Outhouse Plans

Free plans to help you build your own Outhouse!

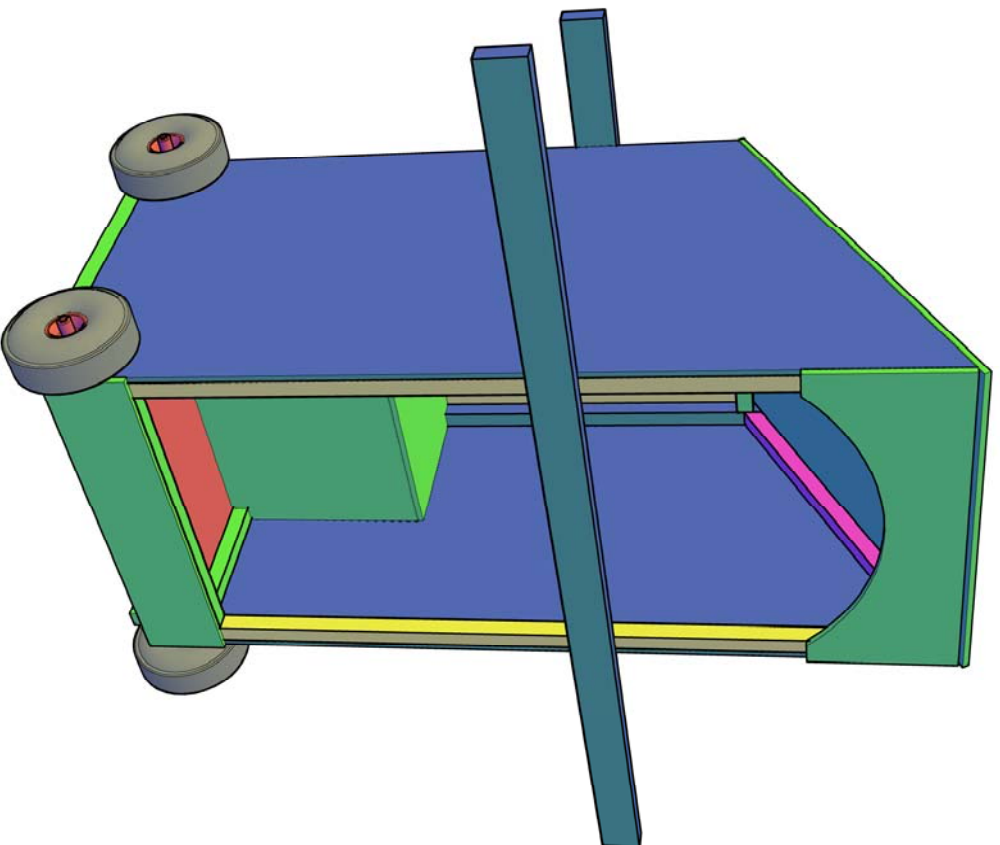
Kits available for \$200. Kit includes everything except wheels and axles. All the pieces are cut and ready for you to assemble.

Completed Outhouse available for \$250. Delivered to the Anchorage Bowl or Eagle River areas only. No wheels or axles included.



This is a FUNdraising event to help send UAA Students to areas in the United States that have been devastated by hurricanes, tornados, or floods. Every year we send a group down to assist Habitat for Humanity in building affordable housing for people displaced by natural disasters. Each team member does 40 hours of work locally. We are the A/E club @ UAA. Our website is: [AEclubUAA.com](http://AEclubUAA.com) Contact person: R Maxwell 786-4914.



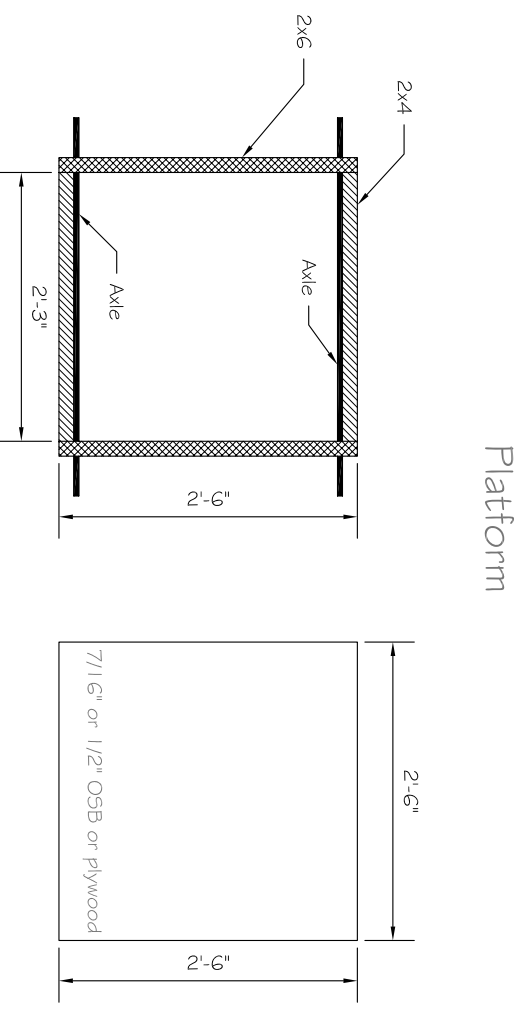


# Materials

- 4 - tires and 2 axles
- 3 sheets 4'x8' - 1/2" plywood or OSB
- 1 - 8' - 2x6
- 3 - 8' - 2x4
- 8 - 8' - 2x2
- 1 # - 3" screws to assemble frame & platform
- 1 # - 1 1/4" screws to attach skin
- Toilet paper holder
- Toilet paper
- Reading material

## Notes:

This outhouse meets all requirements for the Traditional Class  
 Push bars are 7' and 55"  
 Decorate to taste (PG rating)



Mount axles to 2x4s and drill holes through 2x6s.  
 For Fur Rondy Outhouse Races remove tires and axles and add cross country skis.

# The Frame

2x2 lumber

A = 7 @ 27"

B = 2 @ 66" longest point - 30° cut

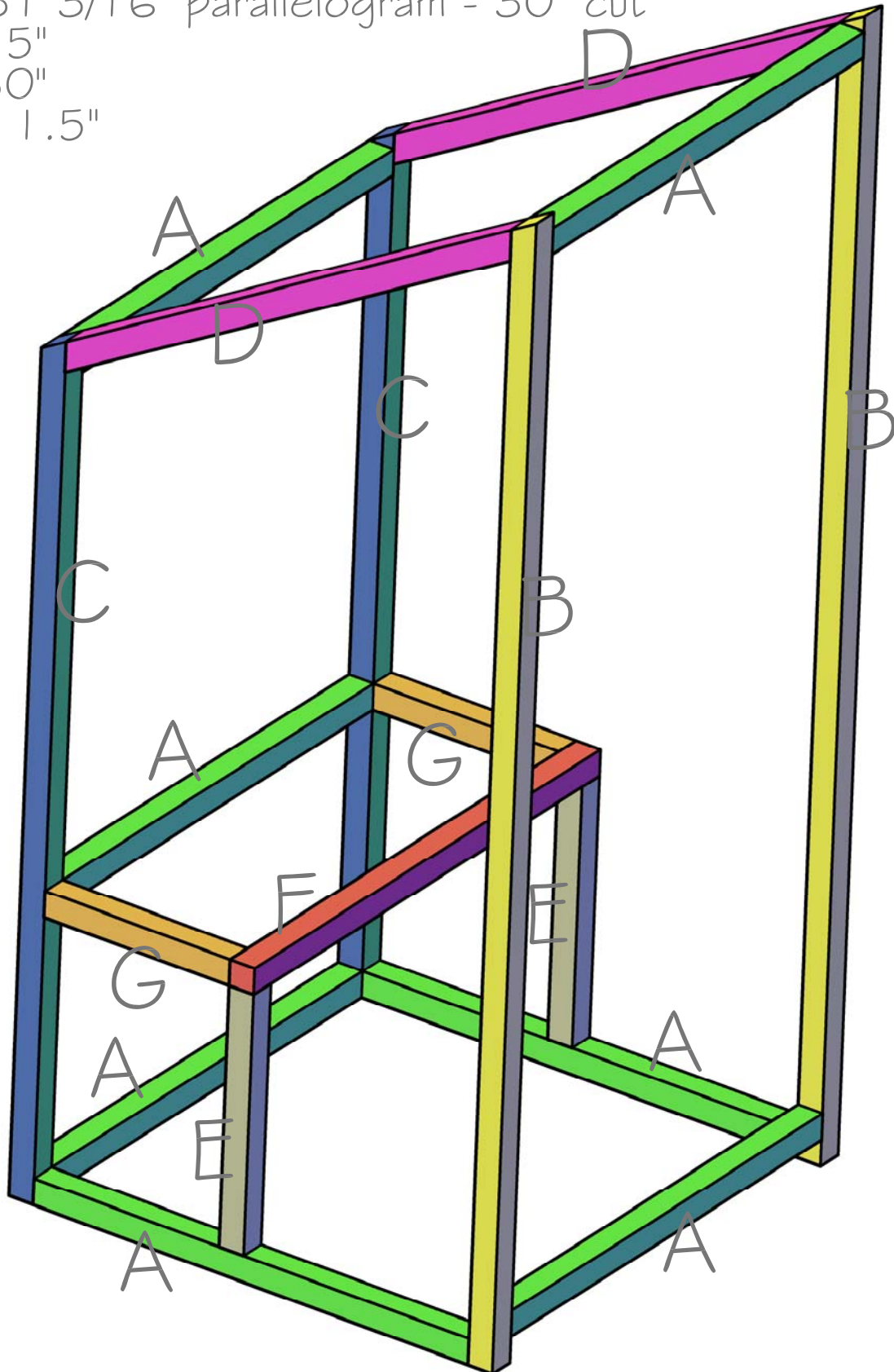
C = 2 @ 49.5" longest point - 30° cut

D = 2 @ 31 3/16" parallelogram - 30° cut

E = 2 @ 15"

F = 1 @ 30"

G = 2 @ 11.5"





**WAIVER AND RELEASE OF LIABILITY  
AND ASSUMPTION OF RISK ACKNOWLEDGEMENT**

DEFINITIONS:

**Facilities** – The State of Alaska, Municipality of Anchorage.

**Indemnitees** – The University of Alaska, Eagle River Chamber of Commerce, Bear Paw Festival, and the AE club @ UAA.

**Indemnitor** – The individual signing below, and his/her heirs, administrators, executors, and assigns.

The **Indemnitor** hereby releases the **Indemnitees** from any liability for damages from illness, injury and/or death that arises out of, or is connected with, or in any manner relates to, **Indemnitor's** use of the **Facilities** and services provided at the **Facilities**.

**Indemnitor** represents that:

1. I am 18 years of age or older. If not 18 then I must have my parents or responsible adult sign the form.
2. I am submitting this release, waiver of liability, and assumption of risk declaration voluntarily and of my own free will.
3. I have no physical or emotional problems, nor any history thereof, which will impair my ability to utilize the **Facilities** and its services in a safe manner.
4. I understand and agree that it is my responsibility to assess the hazards presented by my use of the **Facilities** and services of the **Facilities**, and further agree that I am the ultimate judge as to whether I can use the **Facilities** and services without risk of harm to myself.
5. I understand and EXPRESSLY ASSUME all the dangers incident to using the **Facilities** and their services, and hereby RELEASE ALL CLAIMS, including but not limited to, personal injury, property damage or destruction, and death, whether caused by NEGLIGENCE, breach of contract or otherwise, and whether for bodily injury, property damage or loss otherwise, which I may ever have against the **Indemnitees**.
6. My use of the **Facilities** is entirely optional and my own free choice. My use of the **Facilities** is in no way a requirement of The Bear Paw Festival or the University of Alaska.

Signature: \_\_\_\_\_

Print Name: \_\_\_\_\_

Address: \_\_\_\_\_

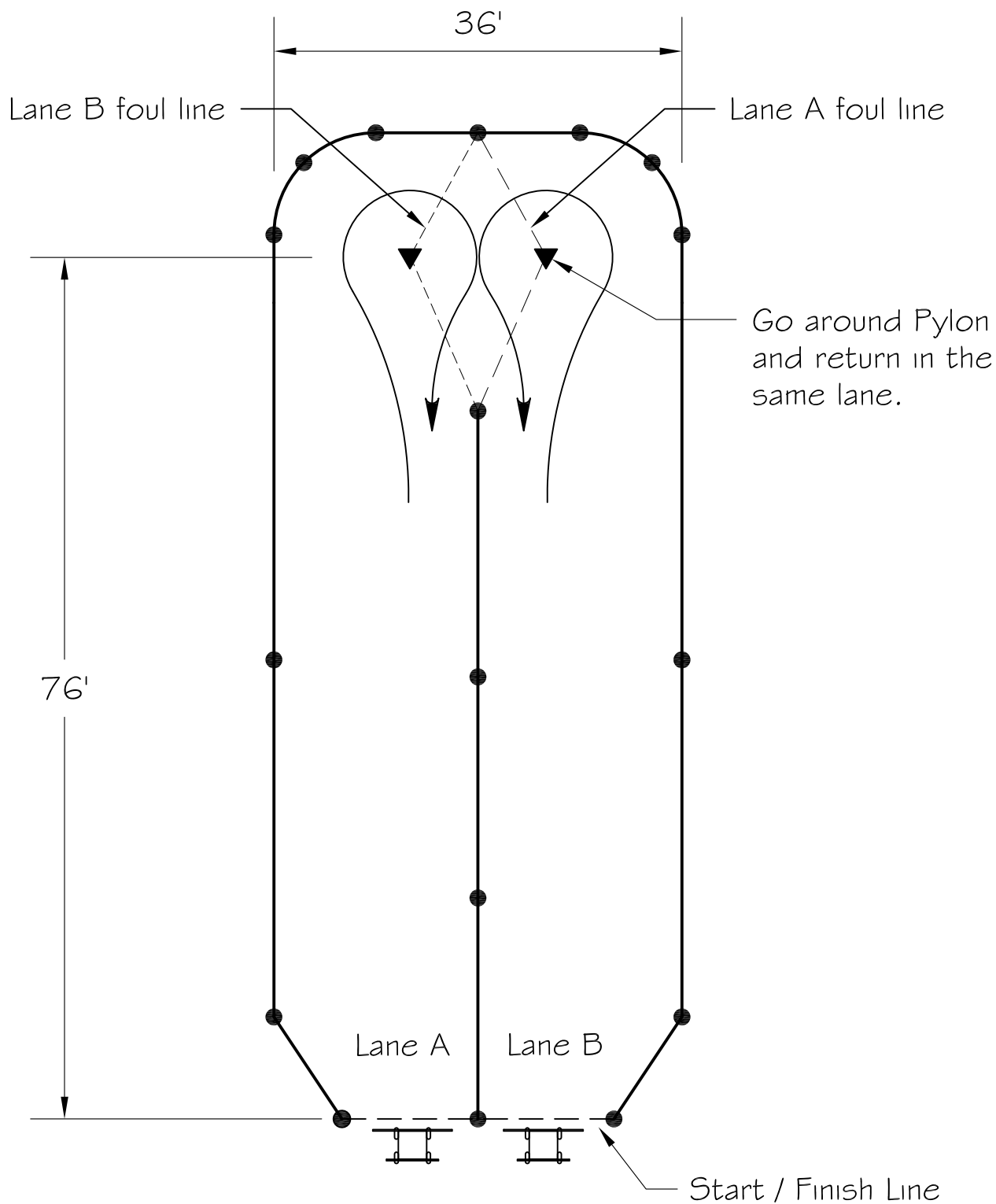
Date: \_\_\_\_\_

Outhouse name: \_\_\_\_\_

Responsible Adult if under 18: \_\_\_\_\_

Signature: \_\_\_\_\_

The AE club @ UAA  
3211 Providence Dr  
Suite 110i ULB  
Anchorage, Alaska 99508



Outhouse  
Street Racing  
Illegal in most  
States



2009 Course